



TRIBECA-DMX

LED Pattern & Framing Projector



5 Holt Drive,
Stony Point, NY 10980
845-947-3034
www.tslight.com

The Tribeca is a powerful LED pattern and framing projector that utilizes the CREE XLamp LED array. This unit will deliver a powerful, crisp projection for longer throw applications, all while staying within a fixture size that is capable of being both track and canopy mounted. Additionally, each unit is equipped with framing shutters for precise beam shaping.

A wide selection of standard patterns (gobos) are available. Custom patterns are also available by simply sending us a PDF of your desired pattern via email.

Manufactured in the USA - IBEW



Features

- 100-277 Volt available
- 20° - 40° beam spread
- 50,000 hour lamp life
- Framing shutters included
- Stock or custom, steel or glass patterns
- Dimmable (optional)
- Numerous mounting options and accessories

Construction

- Steel housing with black, white or silver finish
- Accepts up to 2 accessories
- Weight: 5.5 lbs.

Optics

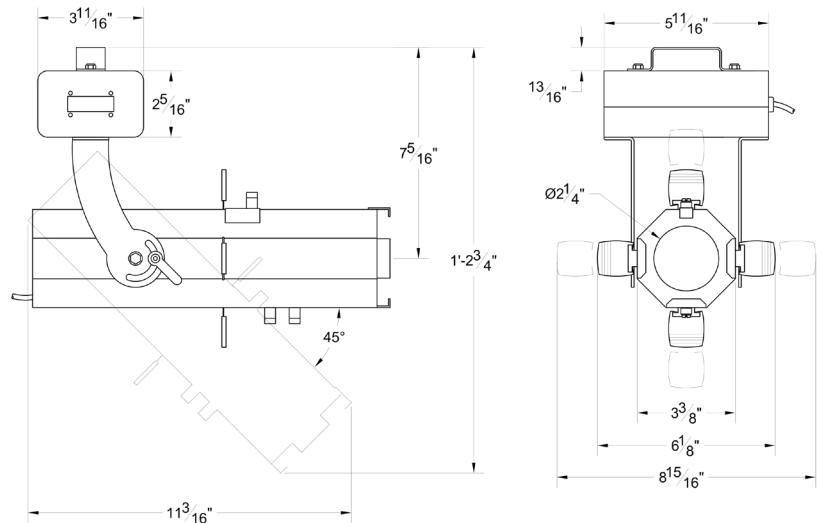
- 20°-40° Zoom optics system

Electrical

- Integral electronic driver
- 100-277V, 50/60Hz
- Meets FCC 47 CFR Part 15/18 Requirements
- 27 Watts or 50 Watts

Maximum ambient temperature: 35°C
Maximum operating angle: 45° from vertical

*Specification sheets are subject to change without notice.



LED

- Color temp options: 2700K, 3000K, 3500K, 4000K
- CRI: 80 Standard, 92 or 98 Optional
- CREE XLamp LED array
- No UV or IR

Model	Module	Total Wattage	Delivered Lumen	Efficacy (Lm/W)	CRI
TRI	80	27	3075	114	80
TRI	92	27	2650	98	92
TRI	98	27	2370	88	98
TRH	80	50	5200	104	80
TRH	92	50	4350	87	92
TRH	98	50	4195	84	98

* Total wattage equals LED plus driver. Delivered lumen may vary depending on LED module, color temperature, optics, and accessories.

Ordering Matrix

Model	LED Module	Color Temp	Finish	Voltage	Mounting	Dimming*	Accessories
TRI	80	27 = 2700K	B = Black	100**	See Mounting Options	DXE = DMX Enhanced	See Accessory Options
TRH	92	30 = 3000K	W = White	120			
	98†	35 = 3500K	S = Silver	240			
		40 = 4000K	CC = Custom Color	277			

** Non-Dim or 0-10V Dimming Only

* See "Notes on Dimming" on reverse

† Not available with TRH

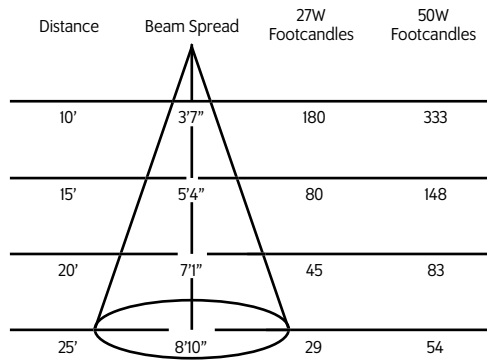
‡ 2700K and 3000K only.

Example: TRI-8030-B-120-TI-DXE-CF6

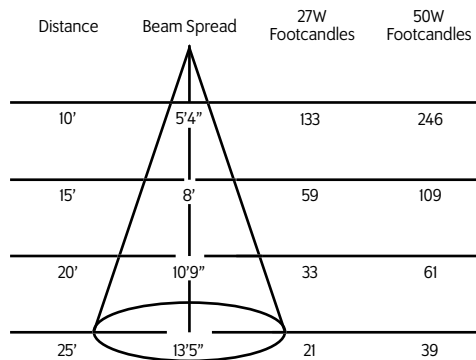
TR- _____ - _____ - _____ - _____ - _____ - _____

Photometric Data

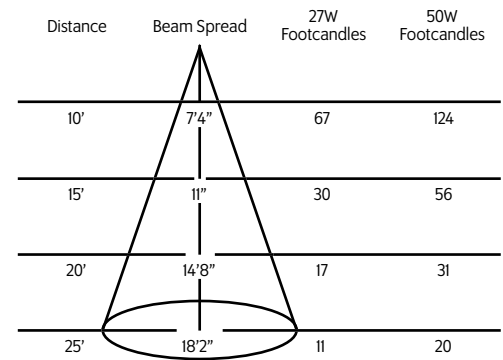
20° Setting



30° Setting



40° Setting



Mounting Options

T1 Track Adapter for commercial grade 1 & 2 circuit track. 120V. For use with larger, heavier fixtures.

DT2 Track adapter for SpecTrack 2-Circuit data track. 120V.

HDT2 Track adapter for SpecTrack 2-Circuit data track. 277V.

GAC 3-Circuit track adapter for databus pulse track. 120V.

TA2 / HTA2 (277V) Track adapter for G-Series specification grade 2-circuit track. 120V and 277V.

TA3 Track adapter for G-Series specification grade 3-circuit track. 120V.

CM4 Canopy Mount

US1 6⁵/₈" x 1¹/₂" Unistrut Adapter

TB8 8" x 8" Portable table base for floor and table use

MC Light duty pipe clamp for small fixtures. For pipes up to 1⁵/₁₆" O.D.

MN Medium duty pipe clamp for small to large fixtures. For pipes up to 2" O.D.

PC9M Heavy duty pipe clamp for large, heavy fixtures. For pipes up to 2" O.D.

Accessories

CF6	Color Frame
SN6	Snoot/Hood
PH6	Pattern Holder
PD6	Pattern Donut
SPE	Stock Pattern Steel
CPE	Custom Pattern Steel
GPE	Custom Pattern Glass
DF6	Dichroic Color Filter
GF6-702	UV Blocking Filter
CC18	Coiled Cord
5300	Mini Spin (variable speed pattern rotator)

Extension Wands

SP 12	12" Stem
SP 18	18" Stem
SP 24	24" Stem
SP X	Custom Length

Slingshot



The Slingshot allows you to cast the output of a Times Square Lighting ellipsoidal at a right angle. This allows flexibility in situations when the fixture is mounted horizontally but the desired aiming angle is vertical (or vice versa).

- **LENGTH:** 6-3/4"
- **WIDTH:** 4"
- **DEPTH:** 4"
- **RANGE OF MOTION:** 0° to 44°

MODEL	COLOR
SLMB	Black Slingshot
SLMW	White Slingshot

Patterns

For standard and custom patterns please see the pattern specification sheet.



[Click here to download pattern datasheet.](#)

* For notes on dimming, please [click here](#).