

PRISM PAR 7

RGBAW-UV LED Specification Sheet



A new addition to our Prism Par family, the Prism Par 7 provides tremendous punch in a small package. This 6-in-1 7x12 Watt LED fixture features a 25° beam angle and a dual yoke/floor stand, multiple unit power linking in rugged die-cast aluminum housing.

5 Holt Drive
Stony Point, NY 10980
845-947-3034
info@tslight.com



Weight & Dimensions

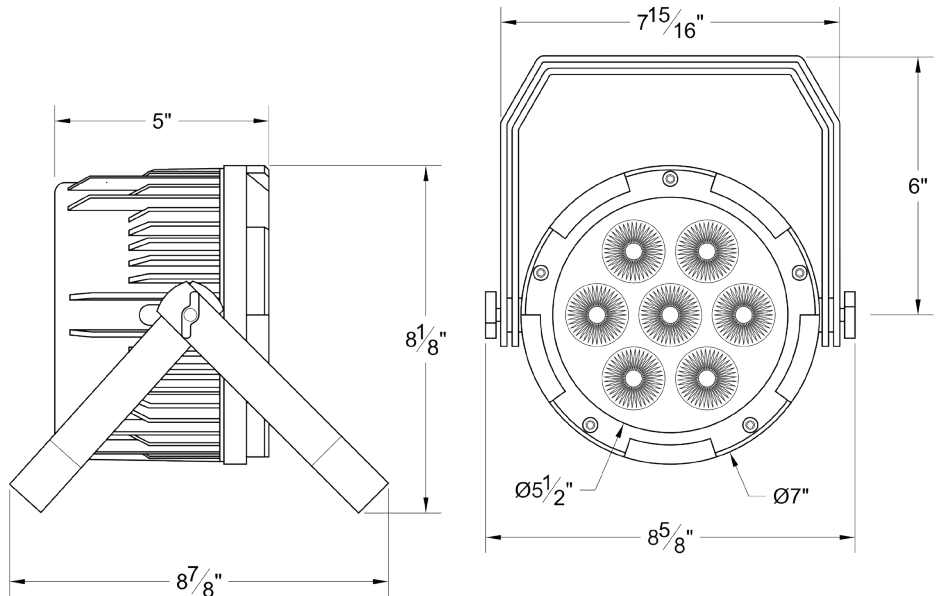
- **Dimensions:** 6.9" x 8.9" x 8.1" inches
- **Weight:** 5.7 lbs.

Power

- **Voltage:** 100-264VAC, 47-63 Hertz
- **Power Consumption:** 84W
- PowerCon In / Out

Optics

- 7 x 12W 6-in-1 RGBAW+UV
- 25° beam angle



Main Features

- 7 x 12W 6-in-1 RGBAW+UV LEDs, 100,000 hours
- Natural convection cooled, totally silent operation
- Variable electronic dimmer strobe
- Built-in color & chase macros via DMX
- Built-in auto programs & sound active in standalone and M/S
- Color mixing ability in standalone mode
- 25° beam angle
- User selectable 6/10-channel DMX modes
- 3-pin male input and 3-pin female output

Control

- **Protocol:** USITT DMX-512
- **DMX Channels:** 6/10
- **Input:** 3-pin XLR Male
- **Output:** 3-pin XLR Female
- Standalone, Master/Slave, Sound Active
- Color Preset

Mounting Options

- MNB** Clamp for pipe up to 2" OD
- CM4** Canopy for mounting to J-box
- US1** Unistrut mount
- STA** ControlTrac adapter (2x)