



MKCR 900 - 2300

CREE LED



5 Holt Drive,
Stony Point, NY 10980
845-947-3034
info@tslight.com

The MKCR Series emphasizes efficiency and economy and boasts the highest lumens per watt rating of any Times Square Lighting fixture to date. It is designed for a short to medium throw applications. The MKCR Series can be fitted with up to three accessories, including barn doors, louvers and lenses. This versatile fixture is available with a wide variety of mounting and dimming options, allowing for a huge range of customization possibilities.

The MKCR Series is available in standard black, white, or silver finishes. Custom colors are available upon request.

Manufactured in the USA - IBEW



Features:

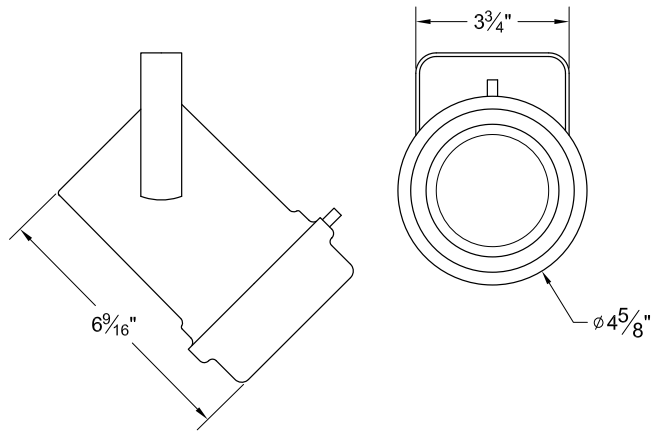
- Internal self-locking yoke
- Internal accessory holder
- Vented rear spinning
- Numerous mounting options
- Industry leading lumen maintenance and color point stability



Vented rear for maximum LED lamp life

Electrical

- Integral electronic driver
- 100-277V, 50/60Hz
- Meets FCC 47 CFR Part 15/18 Requirements



LED

- Cree XLamp LED array
- Color temp options: 2700K, 3000K, 3500K, 4000K, 5000K, 5700K, 6500K
- CRI: 80 standard or 92 optional
- Lumen maintenance: 90% of initial lumen output at 33,000 hours on LM-80 testing
- No UV or IR

Model	CRI	Total Wattage	Delivered Lumens	Efficacy (Lm/W)
MKCR9	80 / 92	6.37 / 6.4	900 / 900	143 / 141
MKCR11	80 / 92	7.7 / 8.4	1100 / 1100	143 / 131
MKCR13	80 / 92	8.4 / 9.5	1300 / 1300	155 / 137
MKCR15	80 / 92	9.7 / 11.4	1500 / 1500	155 / 132
MKCR18	80 / 92	11.4 / 14	1800 / 1800	158 / 128
MKCR20	80 / 92	13.2 / 15.8	2000 / 2000	152 / 127
MKCR23	80	17.4	2300	132

* Total wattage equals LED plus driver. Delivered lumen may vary depending on LED module, color temperature, optics, and accessories. Testing done with 3000K LED array.

Ordering Matrix

Model	Lumens	CRI	Color Temp	Finish	Voltage	Optics	Mounting	Dimming †	Accessories
MKCR	9 = 900 / 900 11 = 1100 / 1100 13 = 1300 / 1300 15 = 1500 / 1500 18 = 1800 / 1800 20 = 2000 / 2000 23 = 2300 / 2300	80 92	27 = 2700K 30 = 3000K 35 = 3500K 40 = 4000K 50 = 5000K 57 = 5700K*** 65 = 6500K*** 6500K***	B = Black W = White S = Silver CC = Custom Color	100† 120 240 277	10 = 10° 20 = 20° 40 = 40° 60 = 60°	See Mounting Options	TE = Trailing Edge LE = Leading Edge 010 = 0-10V ND = Non-Dimming	See Accessory Options

Maximum ambient temperature: 35°C
Maximum operating angle: 45° from vertical

* 277V TE Dimming available on 1800 lumen, 80 CRI and 1500 lumen, 92 CRI only.
** 120V Only. ***80 CRI Only

† See "Notes on Dimming" on reverse
‡ Non-Dim or 0-10V dimming only

Example: MKCR15-80-27-B-120-20-T1-TE-BD20

MKCR _____

* Specification sheets are subject to change without notice.

Optics

- 20°, 40°, and 60° Field-changable reflectors

CBCP:	MKCR9	MKCR11	MKCR13	MKCR15	MKCR18	MKCR20	MKCR23
20°	3100	3875	4780	5500	6030	6700	7900
40°	1850	2275	2825	3250	3600	4000	4700
60°	980	1230	1525	1750	2100	2425	3000

* Testing done at 3000K, 80 CRI.

Photometric Data

Distance	20° Spot Reflector Beam Spread	Footcandles						
		MKCR9	MKCR11	MKCR13	MKCR15	MKCR18	MKCR20	MKCR23
5'	1'7"	126	155	191	220	241	268	315
10'	3'5"	31	39	48	55	60	67	79
15'	5'3"	14	17	21	24	27	30	35
20'	7'1"	8	10	12	14	15	17	20
25'	8'8"	5	6	8	9	10	11	13
30'	10'6"	-	5	5	6	7	7	9

Distance	40° Medium Flood Reflector Beam Spread	Footcandles						
		MKCR9	MKCR11	MKCR13	MKCR15	MKCR18	MKCR20	MKCR23
5'	3'6"	74	91	113	130	144	160	188
10'	7'3"	19	23	28	33	36	40	47
15'	10'9"	8	10	13	15	15	18	21
20'	14'6"	5	5	7	8	9	10	12
25'	18'2"	-	-	-	5	6	6	8
30'	22'2"	-	-	-	-	-	-	5

Distance	60° Flood Reflector Beam Spread	Footcandles						
		MKCR9	MKCR11	MKCR13	MKCR15	MKCR18	MKCR20	MKCR23
5'	5'7"	39	49	61	70	85	97	118
10'	11'6"	10	12	15	18	21	24	30
15'	17'3"	5	5	7	8	9	11	13
20'	23'1"	-	-	-	5	5	6	7
25'	28'9"	-	-	-	-	-	5	6
30'	35'2"	-	-	-	-	-	-	5

Extension Wands

SP 12	12" Stem
SP 18	18" Stem
SP 24	24" Stem
SP X	Custom Length

Mounting Options

DT2 2-circuit track adapter for SpecTrack databus. 120V.

HDT2 2-circuit track adapter for SpecTrack databus. 277V.

AD1 Track adapter for commercial grade 1 and 2-circuit track. Good for use with small, lightweight fixtures.

TA2 Track adapter for G-Series specification grade 2-circuit track. 120V.

HTA2 Track adapter for G-Series specification grade 2-circuit track. 277V.

TA3 Track adapter for G-Series specification grade 3-circuit track. 120V.

CM4 Canopy Mount

US1 6 $\frac{5}{8}$ " x 1 $\frac{1}{2}$ " Unitrut Adapter

TB8 8" x 8" Portable table base for floor and table use

MC Light duty pipe clamp for small fixtures. For pipes up to 1 $\frac{5}{16}$ " O.D.

MN Medium duty pipe clamp for small to large fixtures. For pipes up to 2" O.D.

PC9M Heavy duty pipe clamp for large, heavy fixtures. For pipes up to 2" O.D.

Accessories

LV6	Louver
XL6	Cross Baffle Louver
BD10	Barndoor
HD6	Hood
XH6	Cross Baffle Hood
SH6	Sparkle Hood
CF10	Color Frame
GF10-600	50°x50° Linear Lens
GF10-601	Beam Softener
GF10-673	50°x50° Spread Lens
X00517	Accessory Holder
LV18*	Honeycomb Louver
FX22-26*	Red Filter
FX22-80*	Blue Filter
FX22-64*	Light Blue Filter
FX22-90*	Green Filter
FX22-21*	Amber Filter
FX22-10*	Yellow Filter
FX22-33*	Pink Filter
CC18	Coiled Cord
SC-24	Safety Cable
IP	Integral Dimmer
WL	Wrench Locking

* X00517 Required

* Wide range of colors available.

* For notes on dimming, please [click here](#).